

MULTIMATERIAL DRYER · Technical Data Sheet

General Features

Benefits

- Preserve your materials' properties
- Dry much faster than with heat-based dryers
- Process multiple materials simultaneously
- Achieve your material's optimal moisture level
- Store your dry filament

The concept

The Smart3D Multimaterial Dryer is the only current solution at the end-user level that integrates different technologies to achieve superior drying capabilities while being significantly faster than other solutions. This Multimaterial Dryer introduces proven technology for drying polymers to the 3D printing space.

Dimensions

Product dimensions	W: 892 mm - D: 500 mm - H: 825 mm W: 35.1" - D: 519.7" - H: 32.5"
Internal storage capacity	W: 733 mm - D: 250 mm - H: 506 mm W: 28.9" - D: 9.8" - H: 19.9"
Maximum spool diameter	300 mm / 11.8"

Performance

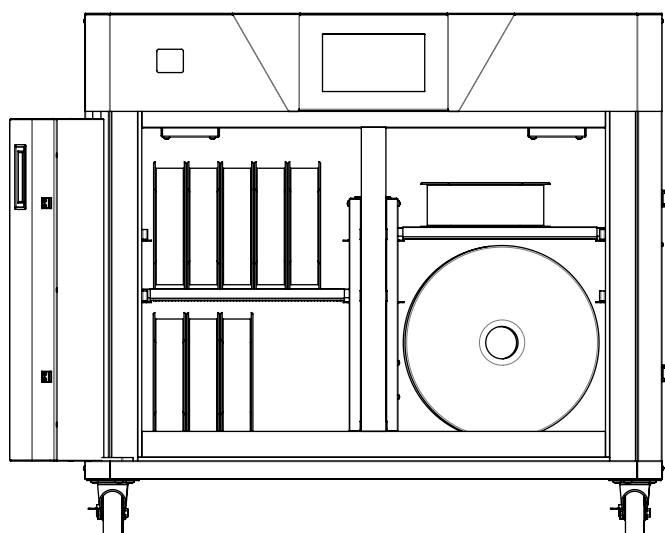
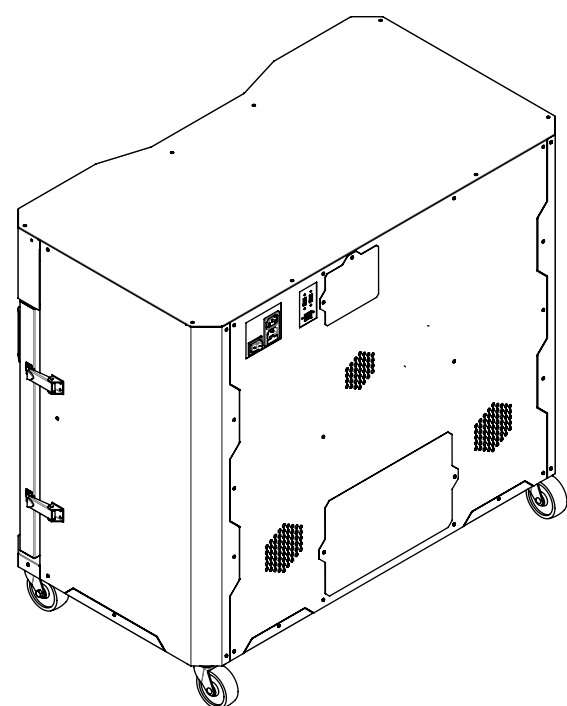
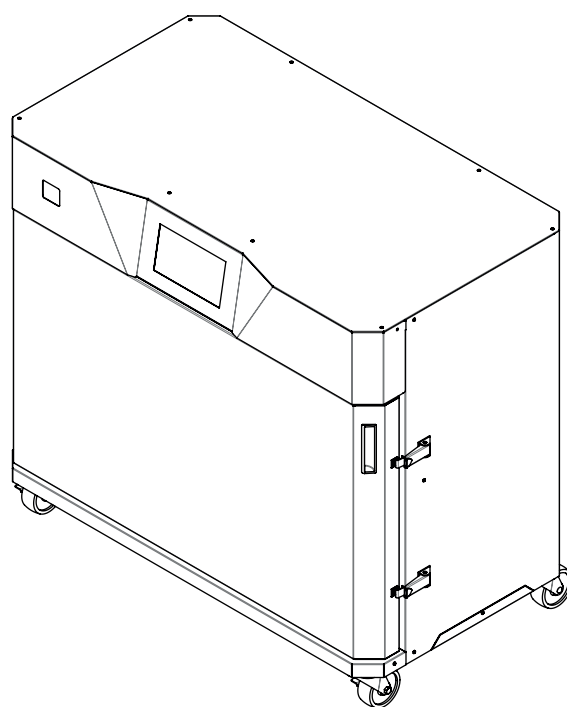
Cycle duration	3 h*
Drying capacity	Up to 24 spools (depending on spool size)
Compatibility	Filament spools of any material and brand
Connectivity	WiFi, Ethernet, USB
Display	7" full color touch screen

Electrical

Rated voltage	110 - 240V / 50 - 60 Hz / 1500W
Auxiliary power outlet	110 - 240V / 50 - 60 Hz / 4 - 2A

Software

Spool recognition	Through RFID tag
Reports and statistics	Temperature and drying cycles
Updates	Internet/Manual
4.0 Compliant	Yes



*Total drying time may vary depending on material type and degree of humidity. The standard 3-hour drying cycle was designed to simultaneously dry a wide range of materials with moderate moisture levels, including TPU and nylon.